

BUSHED TYPE

- **CAPACITIES TO 15 HP**
- **BORE SIZES FROM 1/2 TO 1-1/2 INCHES**
- **EASY-MOUNT SURE-GRIP QUICK- DETACHABLE BUSHINGS**
- **EFFICIENT, ECONOMICAL LIGHTWEIGHT**

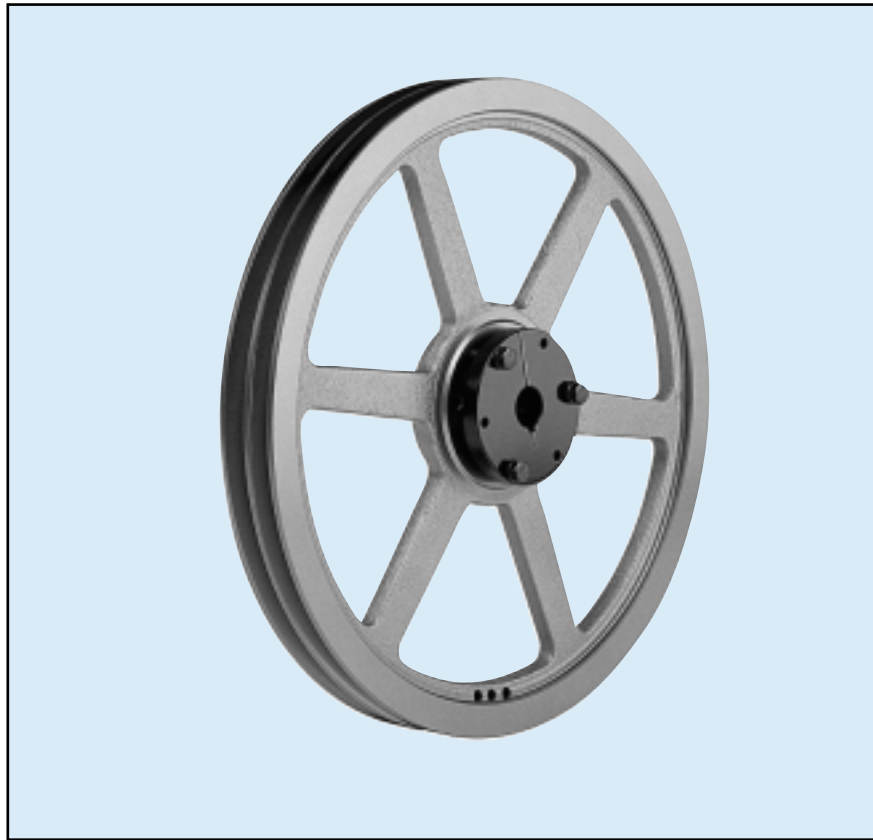
Carlisle's line of light-duty Durapower FHP V-Belt pulleys can be equipped with *QD® (quick-detachable) bushings. Capacities range from fractional to 15 hp. Pitch diameter range is from 2.4 to 18.4 in.

The new Durapower FHP pulleys are available in two types, both with one and two grooves. "A" pulleys are made to accommodate O (3L) & A (4L) belts; "B" pulleys are made for A (4L) or B (5L) belts. The two lines of pulleys have identical pitch diameters when using A or 4L belts.

Carlisle's light-duty pulleys can be equipped with Carlisle's "QT" bushings.

This quick-detachable tapered bushing is split through flange and tapered surface to provide a true clamp that is comparable to a shrink fit. Carlisle bushings are easy to install and remove. The flange has two drilled and two tapered holes for easy assembly with two capscrews. Bore range is 1/2 through 1-1/2 in.

*QD is a registered trademark of Emerson Electric



DURAPOW FHP PULLEYS — Bushed Single Groove 3L/4L & 4L/5L Combination (Type QT)

New Part No.	Pitch diameter	Pitch diameter	Outside Pitch dia.	Type	E	F	L	M	weight (lbs.)	Old Part No.
	3L or O	4L	A ●							

Single Groove O/A (3L-4L) Combination — for use with O, A, 3L or 4L section belts

AK30QT	2.46	2.80	3.05	E1	3/8	3/4	1-1/4	7/8	1.7	1A31D
AK32QT	2.66	3.00	3.25	E1	3/8	3/4	1-1/4	7/8	1.8	1A33D
AK34QT	2.86	3.20	3.45	E1	3/8	3/4	1-1/4	7/8	1.8	1A35D
AK39QT	3.16	3.50	3.75	C2	1/16	3/4	1-1/4	9/16	2.0	1A38D
AK41QT	3.36	3.70	3.95	C2	1/16	3/4	1-1/4	9/16	2.2	1A40D
AK44QT	3.66	4.00	4.25	C2	1/16	3/4	1-1/4	9/16	2.5	1A43D
AK46QT	3.86	4.20	4.45	C2	1/16	3/4	1-1/4	9/16	2.5	1A45D
AK49QT	4.16	4.50	4.75	C2	1/16	3/4	1-1/4	9/16	2.7	1A48D
AK51QT	4.36	4.70	4.95	C2	1/16	3/4	1-1/4	9/16	2.9	1A50D
AK54QT	4.66	5.00	5.25	C2	1/16	3/4	1-1/4	9/16	2.6	1A53D
AK56QT	4.86	5.20	5.45	C2	1/16	3/4	1-1/4	9/16	2.9	1A55D
AK59QT	5.16	5.50	5.75	C2	1/16	3/4	1-1/4	9/16	3.0	1A58D
AK61QT	5.36	5.70	5.95	D3	1/16	3/4	1-1/4	9/16	3.1	1A60D
AK64QT	5.66	6.00	6.25	D3	1/16	3/4	1-1/4	9/16	3.3	1A63D
AK66QT	5.86	6.20	6.45	D3	1/16	3/4	1-1/4	9/16	3.4	1A65D
AK69QT	6.16	6.50	6.75	D3	1/16	3/4	1-1/4	9/16	3.8	1A68D
AK71QT	6.36	6.70	6.95	D3	1/16	3/4	1-1/4	9/16	3.7	1A70D
AK74QT	6.66	7.00	7.25	D3	1/16	3/4	1-1/4	9/16	3.9	1A73D
AK79QT	7.16	7.50	7.75	D3	1/16	3/4	1-1/4	9/16	4.1	1A78D
AK84QT	7.66	8.00	8.25	D3	1/16	3/4	1-1/4	9/16	4.2	1A83D
AK89QT	8.16	8.50	8.75	D3	1/16	3/4	1-1/4	9/16	4.6	1A88D
AK94QT	8.66	9.00	9.25	D3	1/16	3/4	1-1/4	9/16	5.0	1A93D
AK99QT	9.16	9.50	9.75	D3	1/16	3/4	1-1/4	9/16	5.3	1A98D
AK104QT	9.66	10.00	10.25	D3	1/16	3/4	1-1/4	9/16	5.1	1A103D
AK109QT	10.16	10.50	10.75	D3	1/16	3/4	1-1/4	9/16	5.7	1A108D
AK114QT	10.66	11.00	11.25	D3	1/16	3/4	1-1/4	9/16	6.1	1A113D
AK124QT	11.66	12.00	12.25	D3	1/16	3/4	1-1/4	9/16	6.7	1A123D
AK134QT	12.66	13.00	13.25	D3	1/16	3/4	1-1/4	9/16	8.0	1A133D
AK144QT	13.66	14.00	14.25	D3	1/16	3/4	1-1/4	9/16	8.4	1A143D
AK154QT	14.66	15.00	15.25	D3	1/16	3/4	1-1/4	9/16	9.4	1A153D
AK184QT	17.66	18.00	18.25	D3	1/16	3/4	1-1/4	9/16	11.9	—

Two Groove O/A (3L-4L) Combination — for use with O, A, 3L or 4L section belts

2AK30QT	2.46	2.80	3.05	E1	1	1-3/8	1-1/4	7/8	2.0	2A31D
2AK32QT	2.66	3.00	3.25	E1	1	1-3/8	1-1/4	7/8	2.3	2A33D
2AK34QT	2.86	3.20	3.45	E1	9/16	1-3/8	1-1/4	7/16	2.4	2A35D
2AK39QT	3.16	3.50	3.75	E1	9/16	1-3/8	1-1/4	7/16	2.4	2A38D
2AK41QT	3.36	3.70	3.95	A2	1/16	1-3/8	1-1/4	1/16	2.5	2A40D
2AK44QT	3.66	4.00	4.25	A2	1/16	1-3/8	1-1/4	1/16	3.0	2A43D
2AK46QT	3.86	4.20	4.45	A2	1/16	1-3/8	1-1/4	1/16	3.1	2A45D
2AK49QT	4.16	4.50	4.75	A2	1/16	1-3/8	1-1/4	1/16	3.7	2A48D
2AK51QT	4.36	4.70	4.95	A2	1/16	1-3/8	1-1/4	1/16	3.8	2A50D
2AK54QT	4.66	5.00	5.25	A2	1/16	1-3/8	1-1/4	1/16	4.0	2A53D
2AK56QT	4.86	5.20	5.45	A2	1/16	1-3/8	1-1/4	1/16	4.2	2A55D
2AK59QT	5.16	5.50	5.75	D3	1/16	1-3/8	1-1/4	1/16	4.0	2A58D
2AK61QT	5.36	5.70	5.95	D3	1/16	1-3/8	1-1/4	1/16	3.9	2A60D
2AK64QT	5.66	6.00	6.25	D3	1/16	1-3/8	1-1/4	1/16	4.5	2A63D
2AK74QT	6.66	7.00	7.25	D3	1/16	1-3/8	1-1/4	1/16	5.5	2A73D
2AK84QT	7.66	8.00	8.25	D3	1/16	1-3/8	1-1/4	1/16	5.4	2A83D
2AK94QT	8.66	9.00	9.25	D3	1/16	1-3/8	1-1/4	1/16	6.7	2A93D
2AK104QT	9.66	10.00	10.25	D3	1/16	1-3/8	1-1/4	1/16	8.3	2A103D
2AK114QT	10.66	11.00	11.25	D3	1/16	1-3/8	1-1/4	1/16	9.1	2A113D
2AK124QT	11.66	12.00	12.25	D3	1/16	1-3/8	1-1/4	1/16	10.1	2A123D
2AK134QT	12.66	13.00	13.25	D3	1/16	1-3/8	1-1/4	1/16	12.0	2A133D
2AK144QT	13.66	14.00	14.25	D3	1/16	1-3/8	1-1/4	1/16	12.5	2A143D
2AK154QT	14.66	15.00	15.25	D3	1/16	1-3/8	1-1/4	1/16	13.9	2A153D
2AK184QT	17.66	18.00	18.25	D3	1/16	1-3/8	1-1/4	1/16	17.4	—

Weights for all bushed items are approximate and include the bushing

A● Datum diameter for A = O.D. - 0.25

DURAPOW FHP PULLEYS — Bushed Single Groove 3L/4L & 4L/5L Combination (Type QT)

New Part No.	Pitch diameter	Pitch diameter	Outside Pitch dia.	Type	E	F	L	M	weight (lbs.)	Old Part
	4L	5L	B •							No.
Single Groove A/B (4L-5L) Combination — for use with A, B, 4L or 5L section belts										
BK30QT	2.40	2.80	3.15	E1	1/2	7/8	1-1/4	7/8	1.8	1B32D
BK32QT	2.60	3.00	3.35	E1	1/2	7/8	1-1/4	7/8	2.0	1B34D
BK34QT	2.80	3.20	3.55	E1	1/2	7/8	1-1/4	7/8	2.2	1B36D
BK36QT	3.00	3.40	3.75	C2	1/16	7/8	1-1/4	7/16	1.8	1B38D
BK40QT	3.20	3.60	3.95	C2	1/16	7/8	1-1/4	7/16	2.0	1B40D
BK45QT	3.50	3.90	4.25	C2	1/16	7/8	1-1/4	7/16	2.4	1B43D
BK46QT	3.70	4.10	4.45	C2	1/16	7/8	1-1/4	7/16	2.8	1B45D
BK50QT	4.00	4.40	4.75	C2	1/16	7/8	1-1/4	7/16	2.6	1B48D
BK52QT	4.20	4.60	4.95	C2	1/16	7/8	1-1/4	7/16	2.7	1B50D
BK55QT	4.50	4.90	5.25	C2	1/16	7/8	1-1/4	7/16	3.3	1B53D
BK57QT	4.70	5.10	5.45	C2	1/16	7/8	1-1/4	7/16	3.3	1B55D
BK60QT	5.00	5.40	5.75	C2	1/16	7/8	1-1/4	7/16	3.1	1B58D
BK62QT	5.20	5.60	5.95	C2	1/16	7/8	1-1/4	7/16	3.2	1B60D
BK65QT	5.50	5.90	6.25	C2	1/16	7/8	1-1/4	7/16	3.4	1B63D
BK67QT	5.70	6.10	6.45	C2	1/16	7/8	1-1/4	7/16	3.5	1B65D
BK70QT	6.00	6.40	6.75	D3	1/8	7/8	1-1/4	1/2	3.4	1B68D
BK72QT	6.20	6.60	6.95	D3	1/8	7/8	1-1/4	1/2	3.7	1B70D
BK75QT	6.50	6.90	7.25	D3	1/8	7/8	1-1/4	1/2	3.9	1B73D
BK77QT	6.70	7.10	7.45	D3	1/8	7/8	1-1/4	1/2	4.2	1B75D
BK80QT	7.00	7.40	7.75	D3	1/8	7/8	1-1/4	1/2	4.0	1B78D
BK85QT	7.50	7.90	8.25	D3	1/8	7/8	1-1/4	1/2	4.2	1B83D
BK90QT	8.00	8.40	8.75	D3	1/8	7/8	1-1/4	1/2	4.9	1B88D
BK95QT	8.50	8.90	9.25	D3	1/8	7/8	1-1/4	1/2	5.6	1B93D
BK100QT	9.00	9.40	9.75	D3	1/8	7/8	1-1/4	1/2	5.8	1B98D
BK105QT	9.50	9.90	10.25	D3	1/8	7/8	1-1/4	1/2	6.1	1B103D
BK110QT	10.00	10.40	10.75	D3	1/8	7/8	1-1/4	1/2	6.6	1B108D
BK115QT	10.50	10.90	11.25	D3	1/8	7/8	1-1/4	1/2	7.0	1B113D
BK120QT	11.00	11.40	11.75	D3	1/8	7/8	1-1/4	1/2	7.5	1B118D
BK130QT	12.00	12.40	12.75	D3	1/8	7/8	1-1/4	1/2	7.5	1B128D
BK140QT	13.00	13.40	13.75	D3	1/8	7/8	1-1/4	1/2	9.1	1B138D
BK150QT	14.00	14.40	14.75	D3	1/8	7/8	1-1/4	1/2	10.1	1B148D
BK160QT	15.00	15.40	15.75	D3	1/8	7/8	1-1/4	1/2	10.4	1B158D
BK190QT	18.00	18.40	18.75	D3	1/8	7/8	1-1/4	1/2	13.4	—
Two Groove A/B (4L-5L) Combination — for use with A, B, 4L or 5L section belts										
2BK32QT	2.60	3.00	3.35	E1	1-3/8	1-3/4	1-1/4	7/8	2.6	2B34D
2BK34QT	2.80	3.20	3.55	E1	1-3/8	1-3/4	1-1/4	7/8	3.0	2B36D
2BK36QT	3.00	3.40	3.75	E1	15/16	1-3/4	1-1/4	7/16	2.6	2B38D
2BK40QT	3.20	3.60	3.95	E1	15/16	1-3/4	1-1/4	7/16	3.0	2B40D
2BK45QT	3.50	3.90	4.25	E1	15/16	1-3/4	1-1/4	7/16	3.6	2B43D
2BK47QT	3.70	4.10	4.45	A2	1/16	1-3/4	1-1/4	7/16	3.4	2B45D
2BK50QT	4.00	4.40	4.75	A2	1/16	1-3/4	1-1/4	7/16	3.9	2B48D
2BK52QT	4.20	4.60	4.95	A2	1/16	1-3/4	1-1/4	7/16	4.2	2B50D
2BK55QT	4.50	4.90	5.25	A2	1/16	1-3/4	1-1/4	7/16	4.5	2B53D
2BK57QT	4.70	5.10	5.45	A2	1/16	1-3/4	1-1/4	7/16	4.9	2B55D
2BK60QT	5.00	5.40	5.75	A2	1/16	1-3/4	1-1/4	7/16	5.0	2B58D
2BK62QT	5.20	5.60	5.95	A2	1/16	1-3/4	1-1/4	7/16	5.1	2B60D
2BK65QT	5.50	5.90	6.25	D3	5/16	1-3/4	1-1/4	3/16	5.1	2B63D
2BK67QT	5.70	6.10	6.45	D3	5/16	1-3/4	1-1/4	3/16	5.6	2B65D
2BK70QT	6.00	6.40	6.75	D3	1/16	1-3/4	1-1/4	7/16	5.7	2B68D
2BK72QT	6.20	6.60	6.95	D3	5/16	1-3/4	1-1/4	3/16	6.0	—
2BK80QT	7.00	7.40	7.75	D3	5/16	1-3/4	1-1/4	3/16	7.0	2B78D
2BK90QT	8.00	8.40	8.75	D3	1/16	1-3/4	1-1/4	7/16	8.2	2B88D
2BK100QT	9.00	9.40	9.75	D3	5/16	1-3/4	1-1/4	3/16	9.0	2B98D
2BK110QT	10.00	10.40	10.75	D3	1/16	1-3/4	1-1/4	7/16	9.9	2B108D
2BK120QT	11.00	11.40	11.75	D3	1/16	1-3/4	1-1/4	7/16	11.6	2B118D
2BK130QT	12.00	12.40	12.75	D3	1/16	1-3/4	1-1/4	7/16	13.7	2B128D
2BK140QT	13.00	13.40	13.75	D3	1/16	1-3/4	1-1/4	7/16	15.4	2B138D
2BK160QT	15.00	15.40	15.75	D3	1/16	1-3/4	1-1/4	7/16	18.1	—
2BK190QT	18.00	18.40	18.75	D3	1/16	1-3/4	1-1/4	7/16	22.1	—

Weights for all bushed items are approximate and include the bushing

- Pitch diameter for A belts = Pitch diameter for 4L belts + 0.10
Datum diameter for B belts = Pitch diameter for B belts -0.35
Datum diameter for A belts = Pitch diameter for 4L belts -0.15

QT Bushings for use with FHP QT Pulleys

Part number	Old Part No.	Bore	Key Seat	Weight (lbs.)
QTMPB	D	7/16	No KS	0.6
QT-1-1/2	D	1/2	1/8 x 1/16	0.6
QT-1-9/16	D	9/16	1/8 x 1/16	0.6
QT-1-5/8	D	5/8	3/16 x 3/32	0.6
QT-1-1/16	D	1-1/16	3/16 x 3/32	0.6
QT-1-3/4	D	3/4	3/16 x 3/32	0.6
QT-1-3/16	D	13/16	3/16 x 3/32	0.6
QT-1-7/8	D	7/8	3/16 x 3/32	0.6
QT-1-15/16	D	15/16	1/4 x 1/8	0.6
QT-1	D	1	1/4 x 1/8	0.6
QT-1-1/16	D	1-1/16	1/4 x 1/8	0.6
QT-1-1/8	D	1-1/8	1/4 x 1/8	0.6
QT-1-3/16	D	1-3/16	1/4 x 1/8	0.6
QT-1-1/4	D	1-1/4	1/4 x 1/8	0.6
QT-1-5/16	D	1-5/16	5/16 x 1/16	0.6
QT-1-3/8	D	1-3/8	5/16 x 1/16	0.6
QT-1-7/16	D	1-7/16	3/8 x 1/16	0.6
QT-1-1/2	D	1-1/2	3/8 x 1/16	0.6

